

## ISIFLO Seal Liner – gas



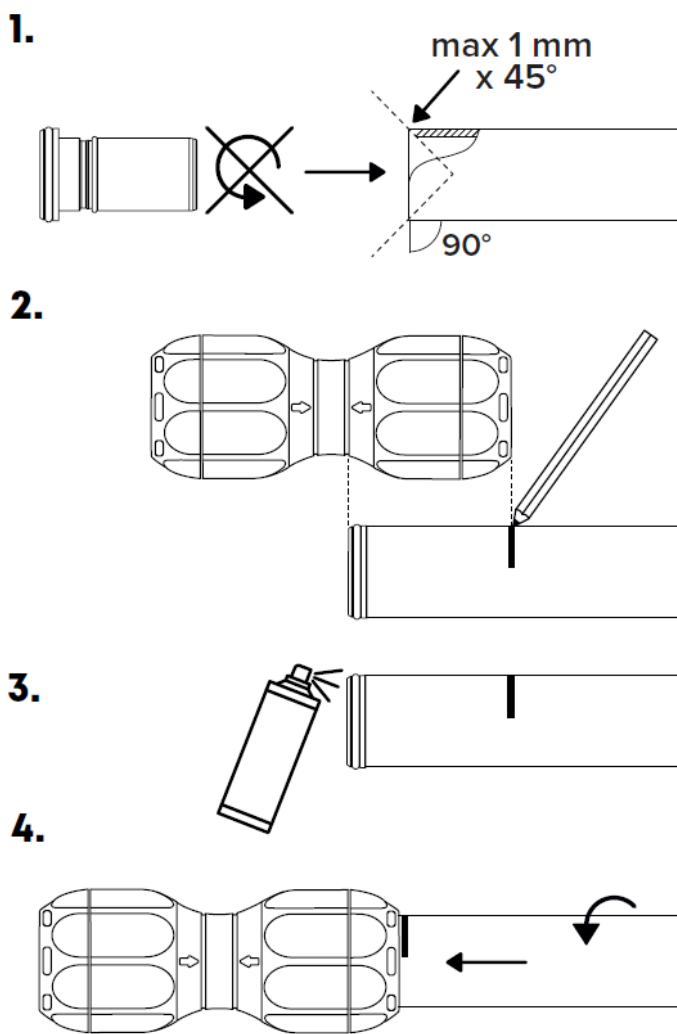
Isiflo Seal Liner is used on SDR11 and SDR17 PE-pipes according to EN-1555-2 to straighten out ovality, add structural support and extra sealing in the interface between pipe end and Isiflo fitting. Yellow O-rings in NBR. The pressure loss using this liner is minimal.

Visit [www.isiflo.com](http://www.isiflo.com) for more details.

### 1. Product Description

<b>Materials</b>	PA12/GF and NBR O-rings
<b>Dimension</b>	20-63 mm
<b>Max working pressure</b>	10 bar
<b>Temperature range</b>	-20°C up to +40°C
<b>Medium</b>	Gas, Air (10bar) and water (16 bar). Ethanol (HX35 – HX95), glycol Other medium; contact Isiflo for details.
<b>Approvals</b>	Kiwa Gastec
<b>Surface treatment</b>	None
<b>Color</b>	Black with yellow O-rings
<b>Other information</b>	

## 2. Assembly instruction



## 3. Description of use and Maintenance

### Cleaning

Can be cleaned with mild soap water. Use a clean and dampened cloth.

### Inspection and control

Check for leakage.

### Maintenance instruction and intervals

No maintenance necessary.

## 4. Operation Technical Information

<b>Estimated technical lifetime without replacements:</b> >50 years.
<b>Warranty and conditions:</b> 20 years against fabrication errors.
<b>Moisture resistance:</b> Not affected by moisture.
<b>Easiness of cleaning:</b> Good.
<b>Other information:</b> Composite: To be recycled as general waste or burned for energy recovery at suited power plants at end of life. O-rings: General waste
<b>Product details and instructions for use:</b> <a href="http://www.isiflo.com">www.isiflo.com</a>

## 5. Contact

<b>Producer/manufacturer</b>	Isiflo AS
<b>Address</b>	Box 143
<b>Postcode and city</b>	2831 Raufoss
<b>Phone</b>	(+47) 61152700
<b>E-mail</b>	<a href="mailto:info@isiflo.com">info@isiflo.com</a>
<b>Web</b>	<a href="http://www.isiflo.com">www.isiflo.com</a>