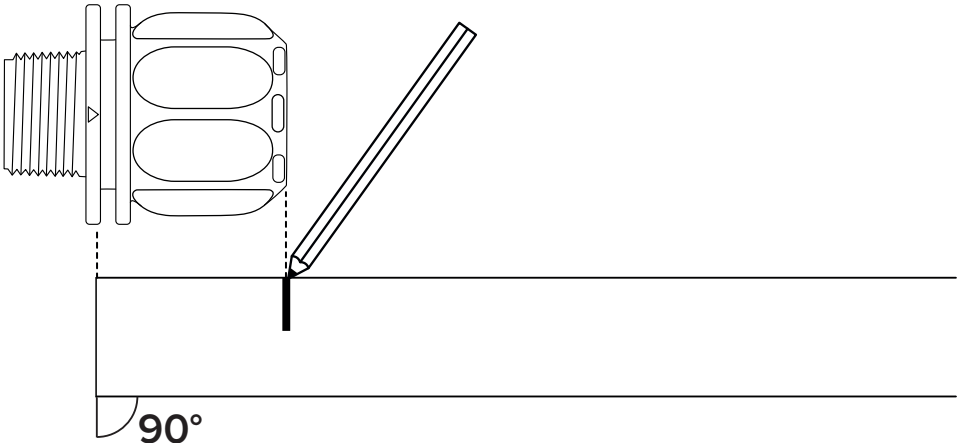


INSTALLATION INSTRUCTIONS

SPRINT

- 1.** Cut the pipe straight and mark the insert depth on the pipe.



- 2.** Insert the pipe into the mark with a little twist

