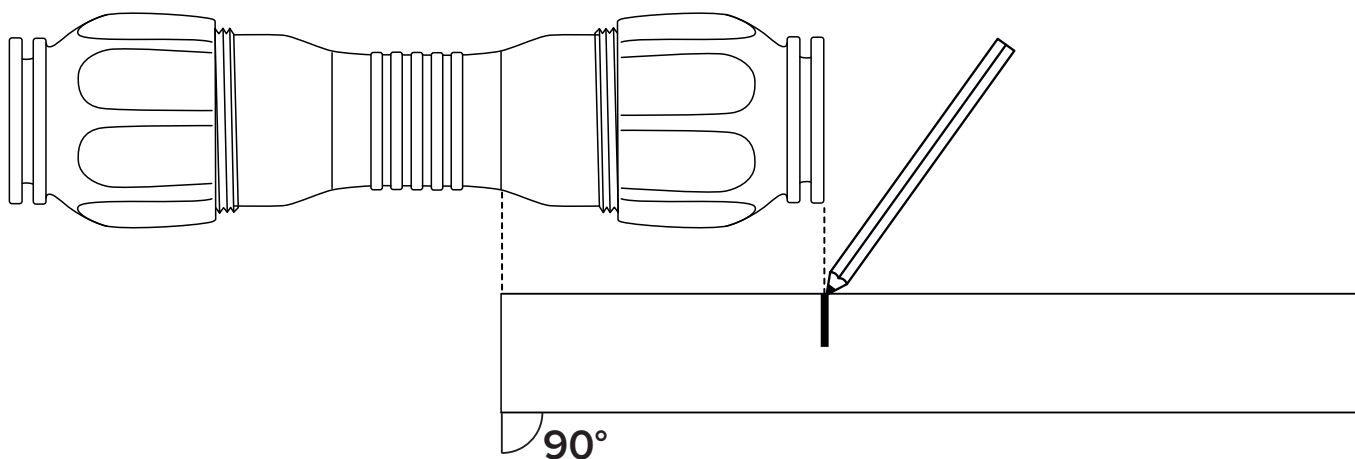


INSTALLATION INSTRUCTIONS

FLEXI X FLEXI

1.

Cut the pipe straight and mark the insert depth on the pipe. If one pipe end is loose, install the coupling on the tight end first.



2.

Insert the pipe into the mark and tighten the nut by hand (equivalent to about 12Nm), before one turn with pipe wrench.

